



4-Way Ceiling Heat Pump System

Indoor Model: SAK-24-CT1/220V	Outdoor Model: SAK-24-CT2/220V
Location:	Approval:
Engineer:	Date:
Submitted to:	Construction:
Submitted by:	Unit #:
Reference:	Drawing #:



INDOOR SPECIFICATION	
Indoor Air Flow (Turbo/H/M/L/S) (CFM)	765.2 / 706.3 / 635.7 / 547.4 / N/A
Indoor Noise Level (Turbo/H/M/L/S) (dBA)	N/A/45.5/43.0/33.5/30.5
Dimension (WxDxH)	inch 32.68 x 32.68 x 8.07
	mm 830.0x830.0x205.0
Package (WxDxH)	inch 35.83 x 35.83 x 9.84
	mm 910x910x250
Net/Gross Weight	lbs 47.18/59.08
	kg 21.4/26.8

OUTDOOR SPECIFICATION	
Compressor Type	ROTARY
Compressor Model	KTM240D46UKT2
Refrigerant	R454B
Refrigerant Oil Charge(mL)	620
Refrigerant Oil	V/G74
Outdoor Air Flow (Max) (CFM)	2236.7
Outdoor Noise Level (dBA)	59.5
Dimension (WxDxH)	inch 37.24 x 16.14 x 31.89
	mm 946.0x410.0x810.0
Package (WxDxH)	inch 42.91 x 19.68 x 34.84
	mm 1090x500x885
Net/Gross Weight	lbs 122.13/132.28
	kg 55.4/60.0

EFFICIENCY			
Cooling		Heating	
SEER2	22	HSPF2-4	10.5
EER2	12.0	COP	3.20

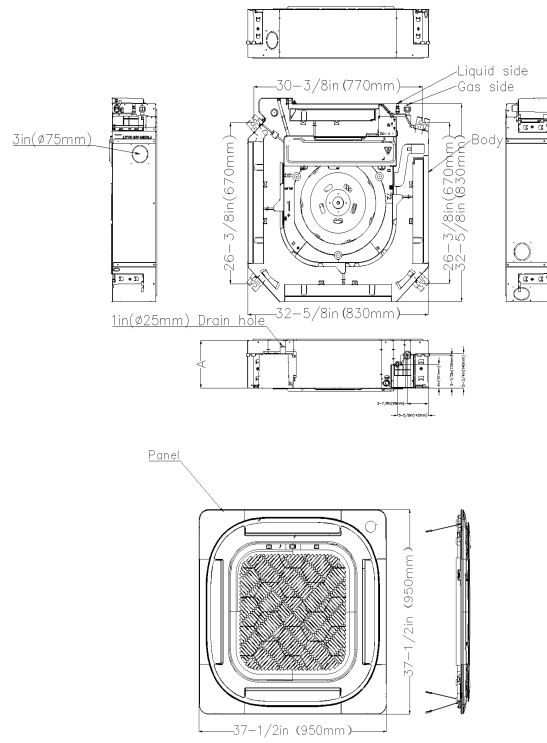
PERFORMANCE of Cooling	
Cooling (Btu/hr)	
Rated Capacity	24000
Min/Max Capacity	12300-26800
Moisture Removal(L/h)	2.56
Standard Operating Range(°F/°C)	-13~122(-25~50)
Conditions:	Indoor: 80°F DB/67°F WB Outdoor: 95°F DB/75°F WB

PERFORMANCE of Heating	
Heating (Btu/hr)	
1. @ 47°F Rated	25000
1. @ 47°F Mini/Max Capacity	11600-33100
2. @ 17°F Rated	20400
3. @ 5°F Rated: Capacity / COP	18500/2.30
3. @ 5°F Max: Capacity	18500
Standard Operating Range(°F/°C)	-13~75(-25~24)
1. Conditions:	Indoor: 70°F DB/60°F WB Outdoor: 47°F DB/43°F WB
2. Conditions:	Indoor: 70°F DB/60°F WB Outdoor: 17°F DB/15°F WB
3. Conditions:	Indoor: 70°F DB/60°F WB Outdoor: 5°F DB/51°F WB

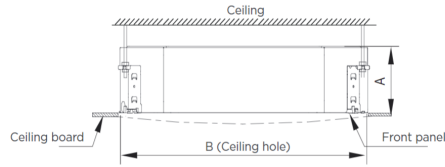
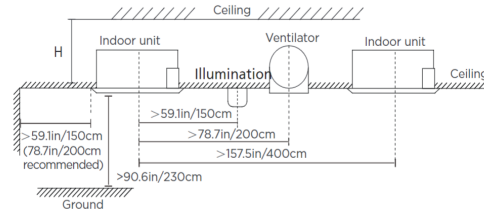
ELECTRICAL	
Power Supply	208/230V/60Hz/1Ph
System MCA	24.00
Connection Wiring	14#x4
System MOCP	25
Compressor RLA	15.4
Outdoor Fan Motor RLA	1.0
Outdoor Fan Motor W	120
Indoor Fan Motor RLA	1.0
Indoor Fan Motor W	45
System Power Input @ Cooling (W)	2000(910 ~ 2570)
System Power Input @ Heating (W)	2288(640 ~ 2830)
MCA: Min. circuit amps (A)	MOCP: Max. over current protection (A)
RLA: Rated load amps (A)	W: Fan motor rated output (W)

PIPING	
Throttle type(Indoor)	N/A
Throttle type(Outdoor)	EXV+Throttle valve
Liquid Size	9.52mm(3/8in)
Gas Size	15.9mm(5/8in)
Max. Piping Length(ft/m)	164.00(50)
Max. Height Difference(ft/m)	82.00(25)
Max. Pre-charged Length(ft/m)	24.6(7.5)
Refrigerant Pre-charged Amount(oz/kg)	70.55(2.00)
Additional Charge of Refrigerant(oz/l)(g/m)	0.32(30)
Connection Method	Flared

Indoor Unit Dimension



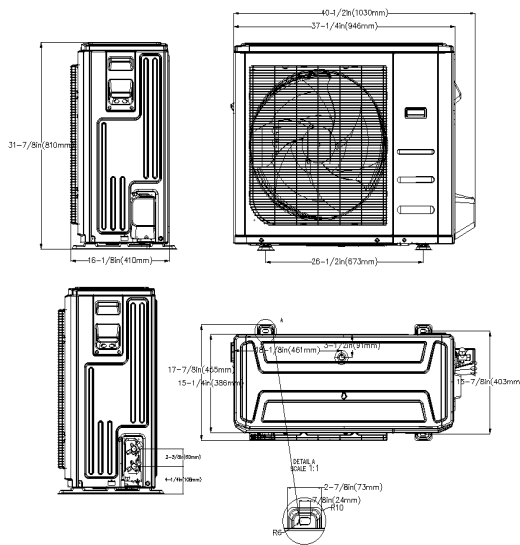
Installation instruction



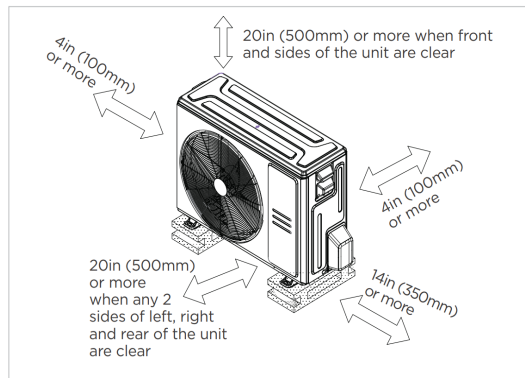
Distance from ceiling relative to height of indoor unit

MODEL	Length of A	Length of H	Length of B
9K/12K/18K	9.6in (245mm)	>10.8in (275mm)	23.6in (600mm)
24K	8.03in (205mm)	9.06in (230mm)	
36K	9.65in (245mm)	10.7in (271mm)	35.4in (900mm)
48K	11.3in (287mm)	12.3in (313mm)	

Outdoor Unit Dimension



Installation instruction



Meets all spatial requirements shown in Installation Clearance Requirements above.

FEATURES

- 360° Air Flow
- Remote on-off and alarm ports
- Refrigerant leakage detection sensor(Optional)
- Humidity sensor
- Built-in pump
- 1~100% fan speed setting
- WiFi capability: through WiFi dongle or wired controller with built-in WiFi
- OTA(by using WiFi dongle)
- 2-pin connector(HA/HB) for programmable wired controller
- Multiple control options available:
 - Two way communication wired controller:120N(X6)
 - Two way communication wired controller with built-in WiFi:120N(X6W)
 - Infrared wired controller: 120L
 - Wireless remote controller
 - Third-Party 24V Thermostat*

*24V interface is required.